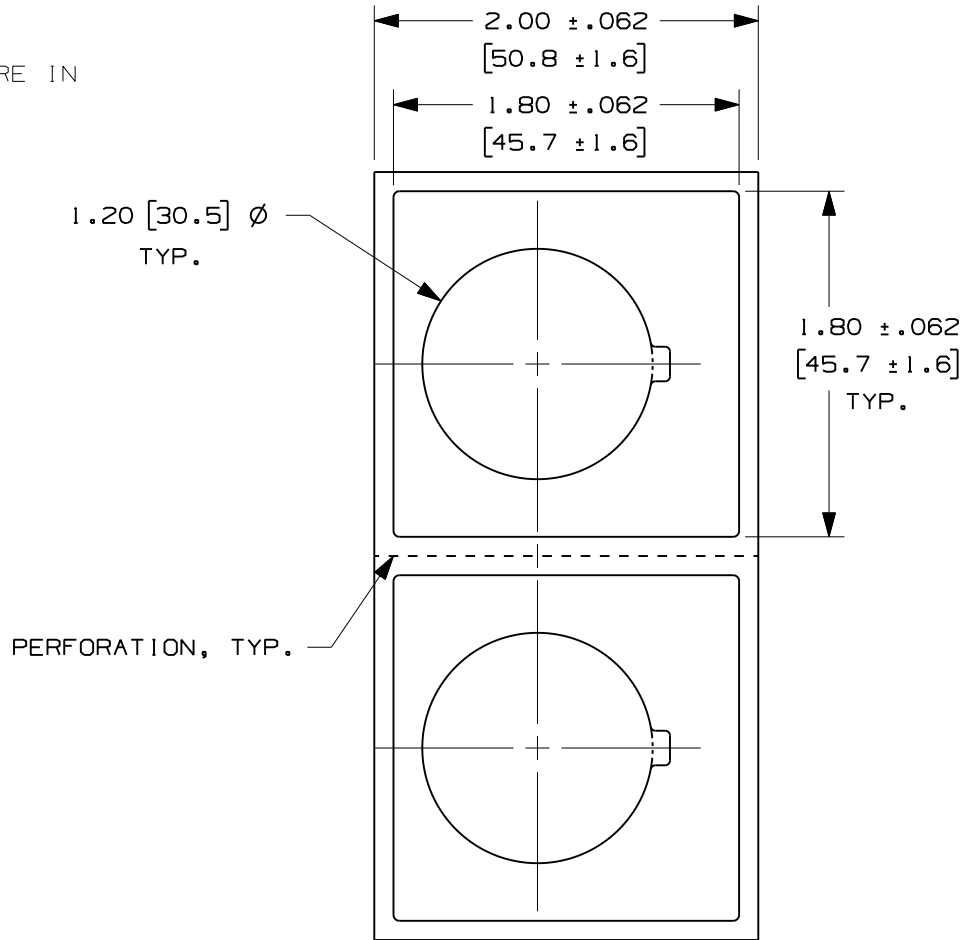


THIS COPY IS PROVIDED ON A RESTRICTED BASIS AND IS NOT TO BE USED IN ANY WAY DETRIMENTAL TO THE INTERESTS OF PANDUIT CORP.

NOTES:  
1. MILLIMETER ARE IN [ ].



PANDUIT PART NO.	PKG. QTY.
C180X180YK-30	500

CAD FILENAME/LAYERS 100491CC\_DS\_C10759/00A

PANDUIT CORP. TINLEY PARK, ILLINOIS

CUSTOMER DRAWING  
RAISED PANEL OVERLAMINATE  
C180X180YK-30

UNLESS OTHERWISE SPECIFIED,  
DIMENSIONAL TOLERANCES ARE:  
(.X) ± .12 (.XXX) ± .025  
(.XX) ± .062 ANGLES ±

UNLESS OTHERWISE SPECIFIED,  
ALL DIMENSIONS ARE GIVEN  
IN INCHES, THIRD ANGLE PROJECTION.

DRAWN BY  
RVU

MAT'L:

SCALE NTS

DATE  
1/19/09

GMV  
OVERLAM

DRAWING NO.  
C10759

DWG  
A  
SIZE

0	4/2/09	RVU		DRAWING RELEASE.	5646	R				
REV	DATE	BY	CHK	DESCRIPTION	ECN	R	CUST	SUP		